



2G UPGRADES

- Performance stability
- Better performance in DVI
- Better management in multichannel
- New User Interface
- Stat Pack available

PRESENTATION

En 2013, Pellenc ST launched a new material and software architecture for the Mistral machine, the «2G». It is based on dedicated scanners and spectrometers without biphexing and on a complete redesign of the PC-software unit. This evolution brings huge advantages concerning stability, simplicity of use and performances. The 2G offer is included on all Mistral machines produced since the end of 2013, but also as an upgrade for earlier versions!

NEW FEATURES



Computer, software and user interface



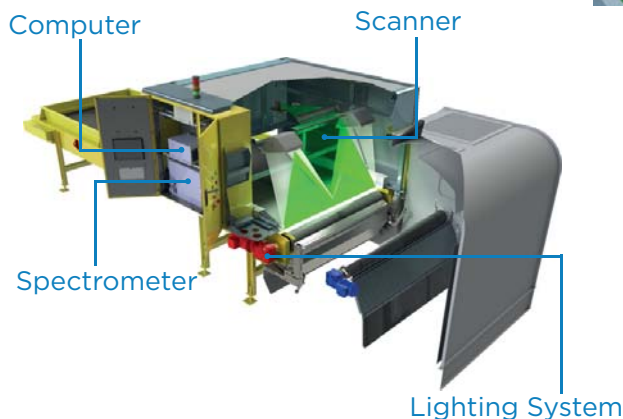
Stat Pack



Spectrometer, biphexor removed

CUSTOMER ADVANTAGES

- Improved stability longer intervals adjustments
- Stat Pack : stream real-time analysis* (composition, throughput, humidity, calorific value..)
- Industrial computer with high reliability under stress
- Material/color analysis on the same pixel for a better combined sorting
- High versatility in multichannel and multistream configurations



IS MY MACHINE COMPATIBLE ?

Most of the Mistrals produced since 2005 are compatible with a 2G upgrade. Ask for advice!

(*calibration required)